



Serving Industries Worldwide

# Cylindrical Roller Thrust Bearings



## Crane Hook Series with and without grease fitting

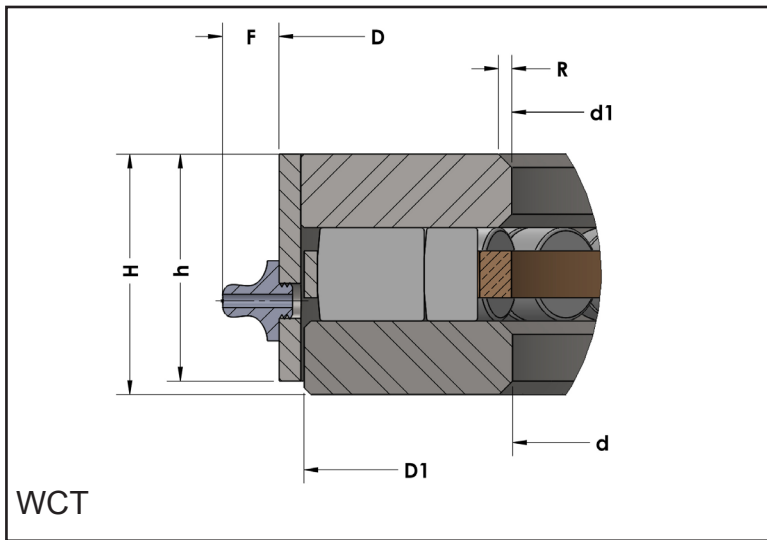
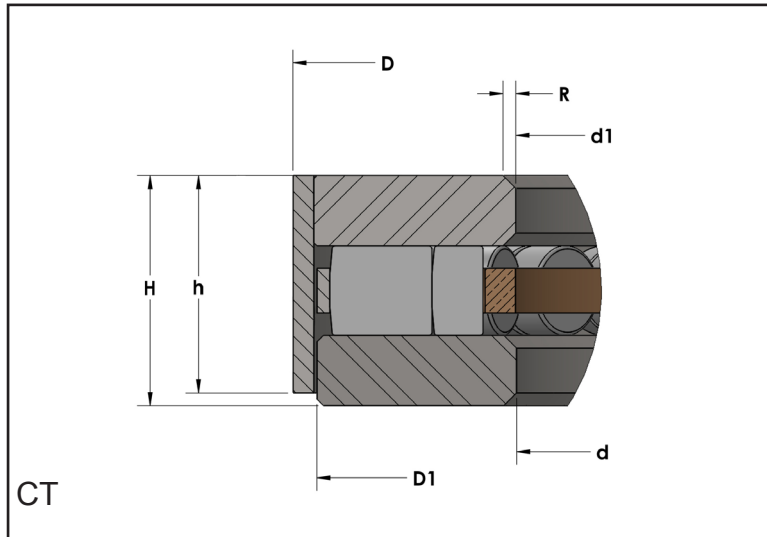
BEARING PART NUMBER		BEARING DIMENSIONS									BEARING CAPACITY	
W/O Grease fitting	With Grease fitting	HOOK SHANK WASHER	BORE	OUTSIDE DIA. "D"		HIEGHT	HSG Washer O.D.	Shed height	Lube fitting height	Will clear fillet		
		d1	d	CT "D"	WCT "D"	H	D1	h	F	R		
		[Inches]	[Inches]	[Inches]	[Inches]	[Inches]	[Inches]	[Inches]	[Inches]	[Inches]	[Lb]	[KN]
CT-11	WCT-11	1-5/8	1.641	3.094	3.343	0.813	2.95	0.69		0.031	38,900	173.0
CT-16	WCT-16	1-15/16	1.952	3.468	3.593	0.813	3.22	0.69		0.062	65,300	290.5
CT-17	WCT-17	2	2.015	3.938	4.000	1.000	3.60	0.88		0.062	73,200	325.6
CT-19	WCT-19	2-1/4	2.265	4.000	4.250	1.000	3.86	0.88		0.062	74,000	329.2
CT-20-C	WCT-20-C	2-1/4	2.265	4.250	4.375	1.000	3.98	0.88		0.062	86,600	394.1
CT-20-B	WCT-20-B	2-5/16	2.327	4.250	4.375	1.000	3.98	0.88		0.062	97,800	435.0
CT-23	WCT-23	2-3/4	2.765	4.750	4.843	1.000	4.45	0.88		0.062	93,800	417.2
CT-24-A	WCT-24-A	2-3/4	2.765	4.875	5.156	1.250	4.76	1.13		0.062	121,300	539.6
CT-27-A	WCT-27-A	3-1/4	3.265	6.125	6.250	1.500	5.85	1.38		0.062	180,800	804.2
CT-27-C	WCT-27-C	3-1/4	3.265	6.188	6.375	1.750	5.97	1.63		0.062	213,000	947.5
CT-27-B	WCT-27-B	3-1/2	3.515	6.156	6.375	1.625	5.97	1.50		0.062	203,400	904.8
CT-28-A	WCT-28-A	3-1/2	3.515	6.750	6.938	1.625	6.54	1.50		0.062	245,100	1090.3
CT-30-B	WCT-30-B	3-9/16	3.577	6.375	6.375	1.375	5.97	1.25		0.062	228,700	1017.3
CT-34-A	WCT-34-A	3-3/4	3.765	7.125	7.250	1.875	6.86	1.75		0.062	288,100	1281.5
CT-35-A	WCT-35-A	4-1/4	4.265	8.171	8.375	2.000	7.97	1.88		0.125	369,200	1642.3
CT-38-A	WCT-38-A	4-1/2	4.515	8.125	8.313	2.000	7.91	1.88		0.125	390,900	1738.8
CT-39-A	WCT-39-A	5	5.015	9.156	9.375	2.250	8.97	2.13		0.125	628,500	2795.7
CT-44-A	WCT-44-A	5-1/2	5.516	10.500	10.500	2.500	10.10	2.38		0.125	628,500	2795.7
CT-45-B	WCT-45-B	5-9/16	5.577	11.500	11.500	2.000	10.97	1.88		0.125	1,070,000	4759.6
CT-45-A	WCT-45-A	6	6.016	11.156	11.375	3.000	10.97	2.75		0.125	923,200	4106.6
CT-49-A	WCT-49-A	6-13/16	6.828	12.750	12.750	2.500	12.34	2.38		0.125	1,230,000	5471.3
CT-51	WCT-51	7-7/8	7.891	12.375	12.375	3.000	11.91	2.75		0.125	860,000	3825.5
CT-52	WCT-52	8-7/16	8.452	14.500	14.500	3.000	13.91	2.75		0.125	1,650,000	7339.6
CT-53	WCT-53	8-7/8	8.891	16.500	16.500	3.000	15.91	2.75		0.125	1,620,000	7206.1
CT-54	WCT-54	9-5/16	9.327	16.500	16.500	3.000	15.91	2.75		0.125	1,500,000	6672.3
CT-55	WCT-55	9-5/8	9.645	18.500	18.500	3.750	17.91	3.38		0.125	2,100,000	9341.3
CT-56	WCT-56	10	10.016	20.500	20.500	3.750	19.91	3.38		0.125	2,450,000	10898.1

-41

# Cylindrical Roller Thrust Bearings

## Crane Hook Series with and without grease fitting

- Special design for crane hook applications
- Designed to fit standard hooks
- Steel “weather-shed” helps keep contaminants out
- Available with and without grease fittings



**SCHEERER**  
BEARING CORPORATION

Scheerer Bearing Corporation  
645 Davisville Road  
Willow Grove, PA 19090 USA

tel 800.443.5252  
fax 215.443.7513  
sales@scheererbearing.com  
www.scheererbearing.com

