

Serving Industries Worldwide



Cylindrical Roller Thrust Bearings

SCHEERER

BEARING CORPORATION

Manufacturers of Ball and Roller Bearings



Crane Hook Series with and without grease fitting

BASIC PART NUMBER		HOOK SHANK DIAMETER	BEARING DIMENSIONS								BEARING CAPACITY		
W/O Grease fitting	With Grease fitting		BORE		O.D.		HEIGHT	HSG Washer O.D.	Shed height	Lube fitting height			Will clear fillet
			d	D _{CT}	D _{WCT}	H	D1	h	F	R	[Lb]	[T]	
		[Inches]	[Inches]	[Inches]	[Inches]	[Inches]	[Inches]	[Inches]	[Inches]	[Inches]	[Inches]		
CT-11	WCT-11	1-5/8	1.640	3.093	3.343	0.812	2.95	0.69		0.031	38,900	17.6	
CT-16	WCT-16	1-15/16	1.952	3.468	3.593	0.812	3.22	0.69		0.062	65,300	29.6	
CT-17	WCT-17	2	2.015	3.937	4.000	1.000	3.6	0.88		0.062	73,200	33.2	
CT-19	WCT-19	2-1/4	2.265	4.000	4.250	1.000	3.86	0.88		0.062	74,000	33.6	
CT-20-C	WCT-20-C	2-1/4	2.265	4.250	4.375	1.000	3.98	0.88		0.062	88,600	40.2	
CT-20-B	WCT-20-B	2-5/16	2.327	4.250	4.375	1.000	3.98	0.88		0.062	97,800	44.4	
CT-23	WCT-23	2-3/4	2.765	4.750	4.843	1.000	4.45	0.88		0.062	93,800	42.5	
CT-24-A	WCT-24-A	2-3/4	2.765	4.875	5.156	1.250	4.76	1.13		0.062	121,300	55.0	
CT-27-A	WCT-27-A	3-1/4	3.265	6.125	6.250	1.500	5.85	1.38		0.062	180,800	82.0	
CT-27-C	WCT-27-C	3-1/4	3.265	6.187	6.375	1.750	5.97	1.63		0.062	213,000	96.6	
CT-27-B	WCT-27-B	3-1/2	3.515	6.156	6.375	1.625	5.97	1.5		0.062	203,400	92.3	
CT-28-A	WCT-28-A	3-1/2	3.515	6.750	6.937	1.625	6.54	1.5		0.062	245,100	111.2	
CT-30-B	WCT-30-B	3-9/16	3.577	6.375	6.375	1.375	5.968	1.25		0.062	228,700	103.7	
CT-34-A	WCT-34-A	3-3/4	3.765	7.125	7.250	1.875	6.86	1.75	~.41	0.062	288,100	130.7	
CT-35-A	WCT-35-A	4-1/4	4.265	8.710	8.375	2.000	7.97	1.88		0.125	369,200	167.5	
CT-38-A	WCT-38-A	4-1/2	4.515	8.125	8.312	2.000	7.91	1.88		0.125	390,900	177.3	
CT-39-A	WCT-39-A	5	5.015	9.156	9.375	2.250	8.97	2.13		0.125	628,500	285.1	
CT-44-A	WCT-44-A	5-1/2	5.515	10.500	10.500	2.500	10.1	2.38		0.125	628,500	285.1	
CT-45-B	WCT-45-B	5-9/16	5.577	11.500	11.500	2.000	10.97	1.88		0.125	1,070,000	485.3	
CT-45-A	WCT-45-A	6	6.015	11.156	11.375	3.000	10.97	2.75		0.125	923,200	418.8	
CT-49-A	WCT-49-A	6-13/16	6.827	12.750	12.750	2.500	12.34	2.38		0.125	1,005,000	455.9	
CT-51	WCT-51	7-7/8	7.890	12.375	12.375	3.000	11.91	2.75		0.125	860,000	390.1	
CT-52	WCT-52	8-7/16	8.452	14.500	14.500	3.000	13.91	2.75		0.125	1,650,000	748.4	
CT-53	WCT-53	8-7/8	8.890	16.500	16.500	3.000	15.91	2.75		0.125	1,620,000	734.8	
CT-54	WCT-54	9-5/16	9.327	16.500	16.500	3.000	15.91	2.75		0.125	1,500,000	680.4	
CT-55	WCT-55	9-5/8	9.640	18.500	18.500	3.750	17.91	3.375		0.125	2,100,000	952.5	
CT-56	WCT-56	10	10.015	20.500	20.500	3.750	19.91	3.375		0.125	2,450,000	1,111.3	

Note:

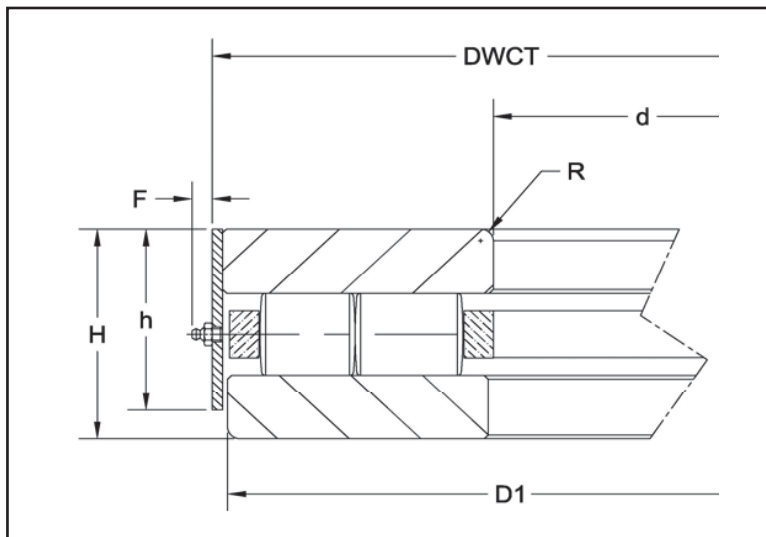
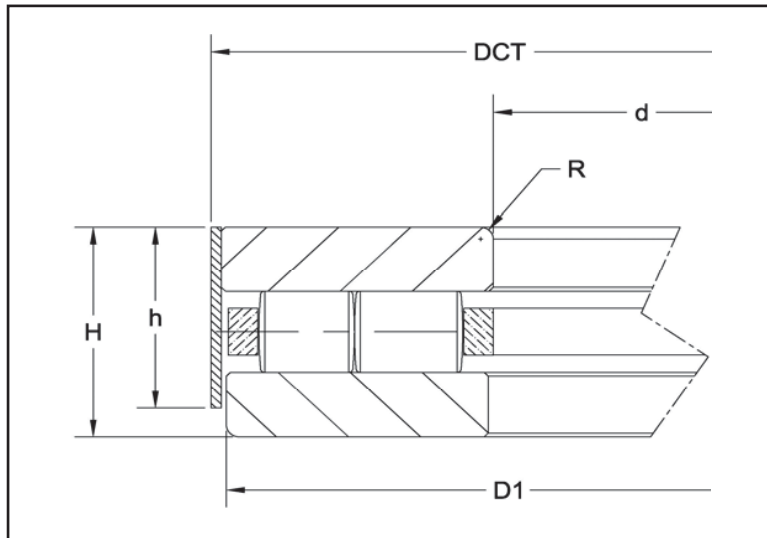
- 1: Some sizes may not be available in stock. Check for availability
- 2: WCT effective O.D. is calculated as: DWCT+2xF

www.scheererbearing.com

Cylindrical Roller Thrust Bearings

Crane Hook Series with and without grease fitting

- Special design for crane hook applications
- Designed to fit standard hooks
- Steel “weather-shed” helps keep contaminants out
- Available with and without grease fittings
- Bearing capacity shown is based on an allowable permanent deformation of .0002x the roller diameter



SCHEERER
BEARING CORPORATION

Scheerer Bearing Corporation
645 Davisville Road
Willow Grove, PA 19090 USA

tel 800.443.5252
fax 215.443.7513
sales@scheererbearing.com
www.scheererbearing.com

